



# Welch-Allyn Light Bracket [9A463]

**Contents:**  
 Installation ..... 1  
 Exploded View ..... x

**Special Tools:**  
 none

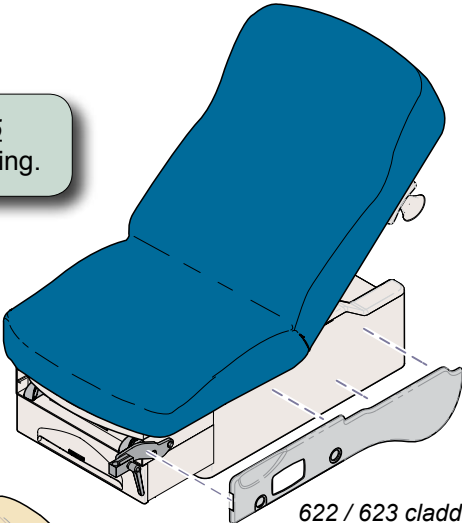
Language of origin: English

**Intended Use:**  
 To mount a Welch-Allyn GS Exam Light IV to Ritter / Midmark models:  
 204 / 604 / 222 / 223 / 622 / 623 / 625

**Models: 204 / 222 / 223**  
 Go to page 2.

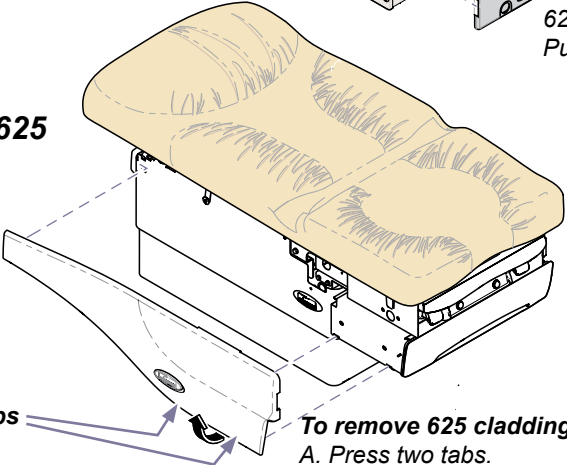
**Models: 604 / 622 / 623 / 625**  
 Step 1: Remove side cladding.

**Models: 622 / 623**



622 / 623 cladding is magnetic.  
 Pull outward to remove.

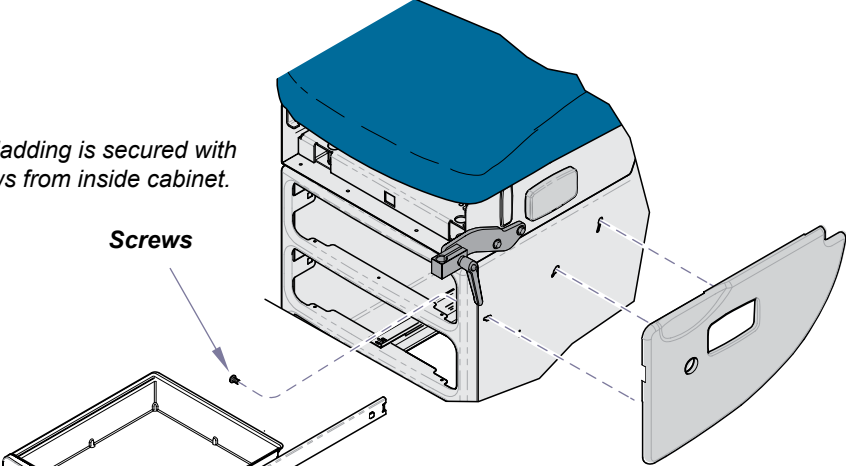
**Model: 625**



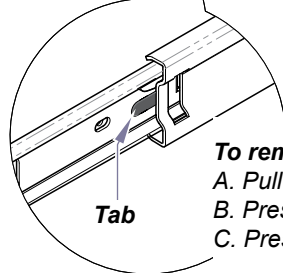
**To remove 625 cladding:**  
 A. Press two tabs.  
 B. Pull bottom of cladding away from table.  
 C. Lift cladding up to remove.

**Model: 604**

604 cladding is secured with screws from inside cabinet.

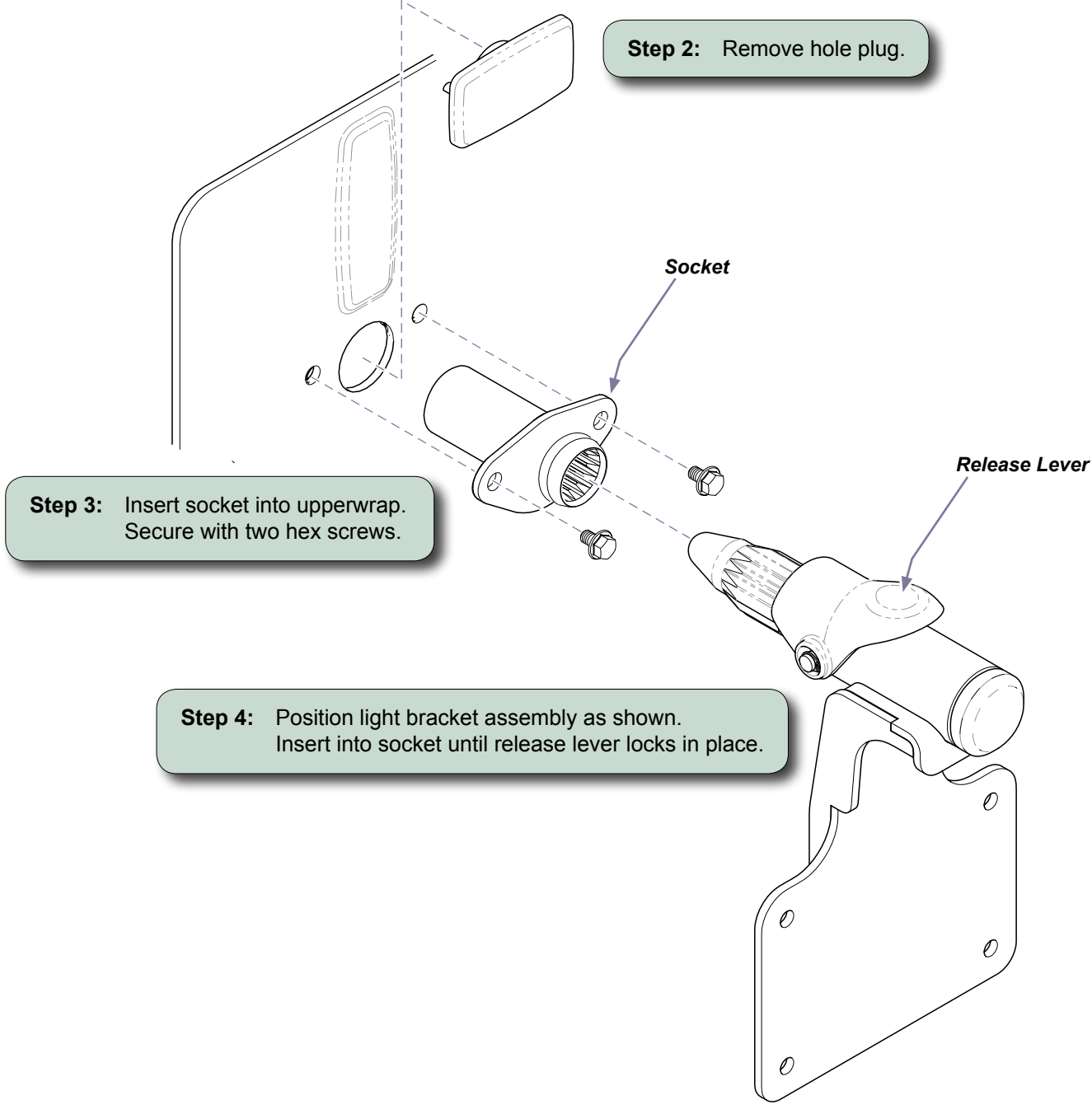


Screws

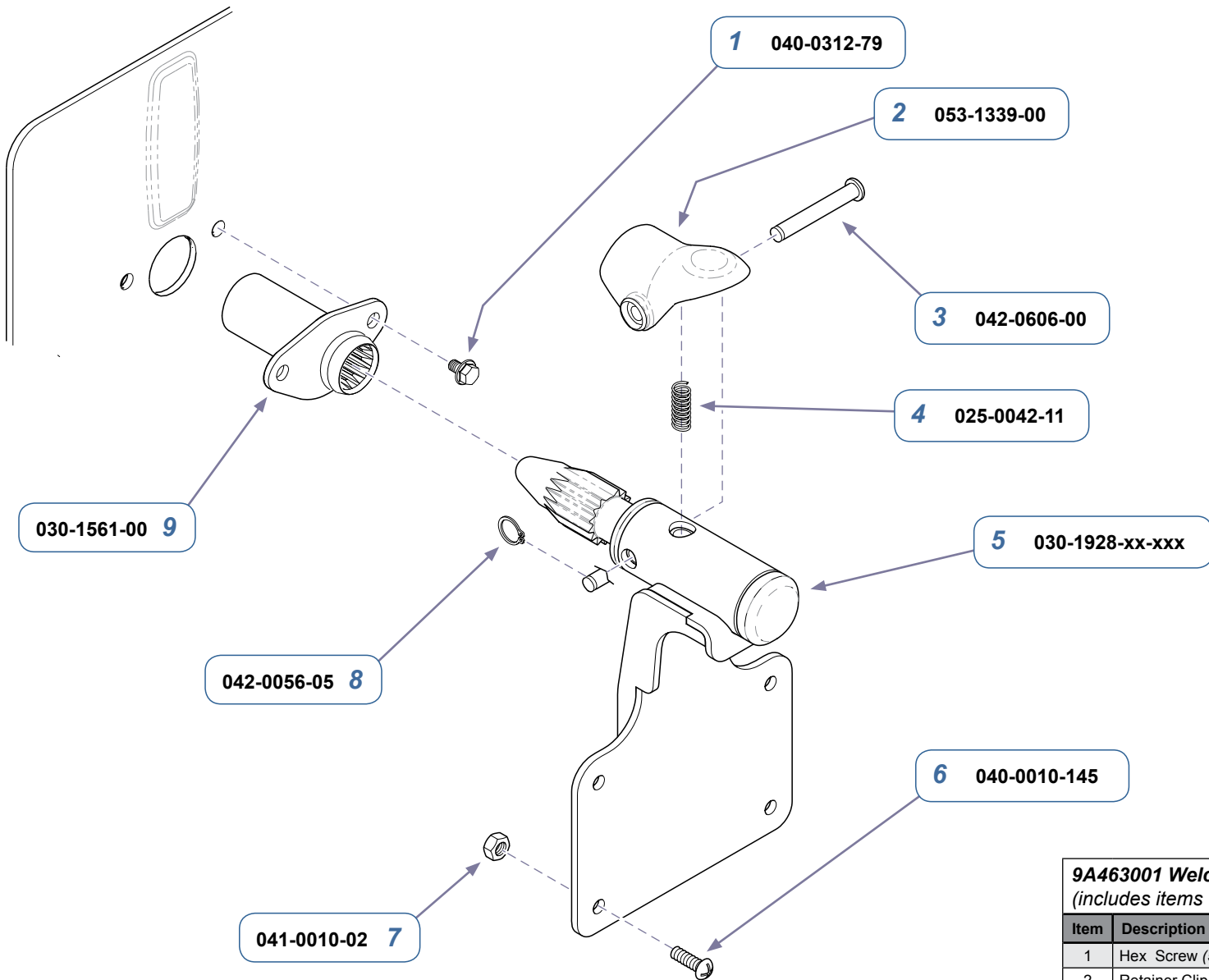


**To remove top drawer:**  
 A. Pull drawer out.  
 B. Press tab on RH slide DOWN.  
 C. Press tab on LH slide UP.

MA80611



MA7806i



**9A463001 Welch-Allyn Light Bracket**  
(includes items 1 thru 9)

Item	Description	Qty.
1	Hex Screw (5/16"-18 x 5/8")	2
2	Retainer Clip	2
3	Clevis Pin	1
4	Compression Spring	1
5	Light Bracket Weldment	1
6	Screw (#10-24 x 12")	4
6	Hex Nut (#10-24)	4
7	Retainer Ring	1
8	Spline Weldment	1

MA8180i

**Serial Numbers / Dates:** all