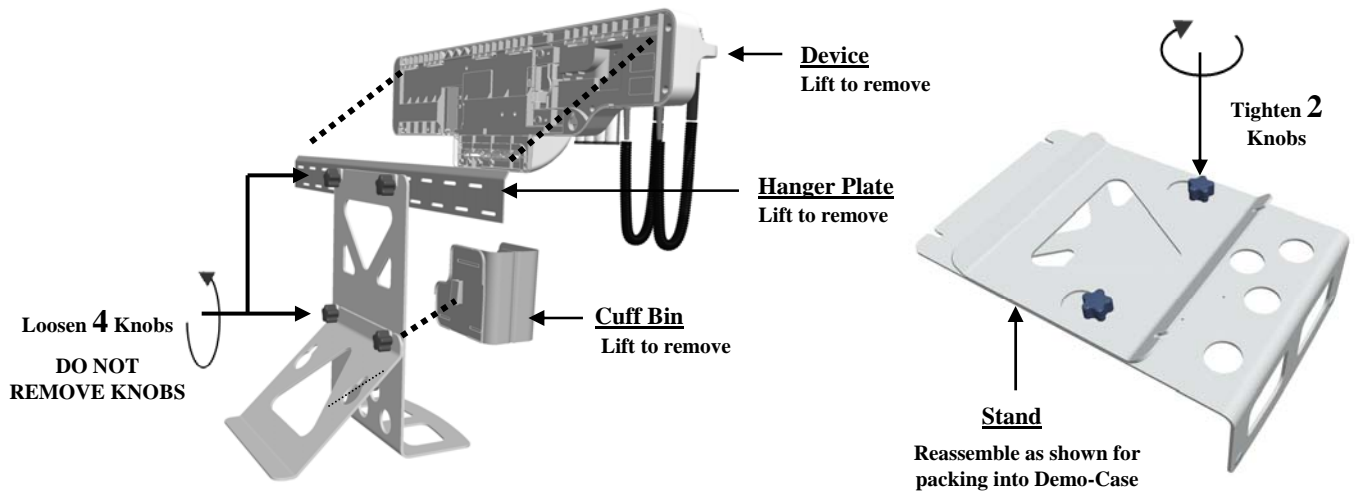
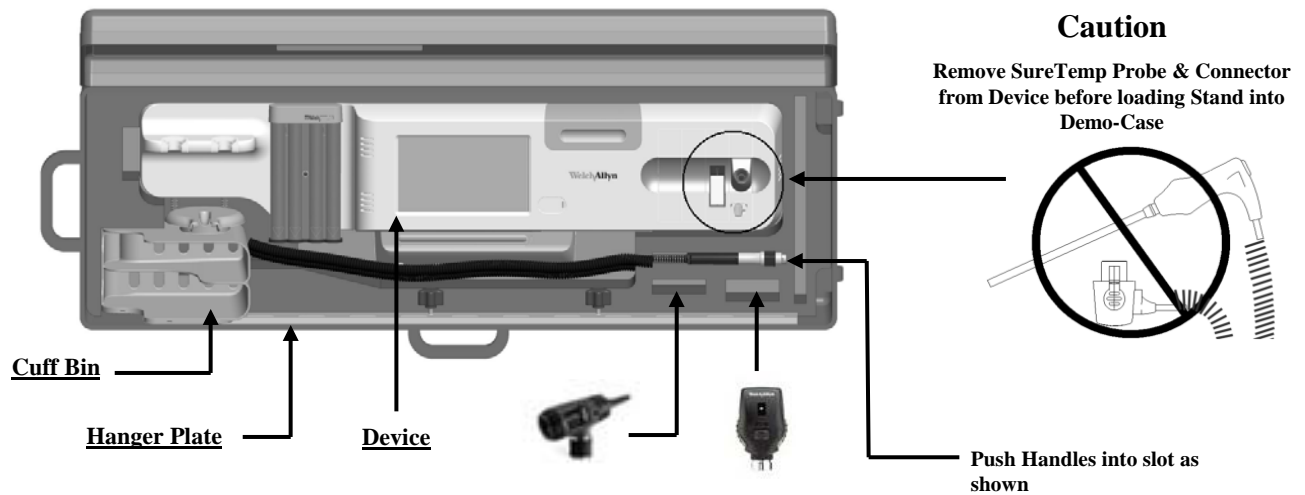


Demo-Case Packing Instructions

1. Disassemble Stand



2. Load Device and Accessories into Demo-Case



3. Load Top-Foam, Stand, & Accessories into Demo-Case

