



Document Description: OEM Platform Wall License	Document Number: 70022252 Version: C
	Page 1 of 6
Printed or electronic versions of this document not accessed directly from the designated Welch Allyn Controlled Quality Information System are For Reference Only.	

Author: Joanne Fregoe


Version	Sec, Pg, Para Changed	Change Made	Date Version Created	Version Created By (initials)
A	N/A	Release to Production	2011-01-20	JMF
B	<p>Approvers</p> <p>Table 1</p> <p>Visio</p> <p>Classification</p> <p>Communication_Pkg_CIWS License Options</p>	<p>Product Manager was Marketing, Commercial Operations was Customer Service, Rick Farchione was Brian Buys, Dave Savarese was Ken Gilbert, Mark Alsberge was Kenny Bello</p> <p>Added Standard H Model and Wireless H Model rows. Added Barcode Scanner Enabled, Scale Enabled, WApps Framework and Masimo SpHb UI columns. Data Communication was Vitals Communication. Spot Profile was Spot Check Profile.</p> <p>Updated visio diagram to include "H" option and Release 1.3.</p> <p>COMMUNICATION_PKG_CIWS was COMMUNICATION_PKG_PVSM</p> <p>Added char values 2 & 3</p> <p>Added char values 0.1, 0.2, 0.3 and 0.4</p> <p>All changes are to support the release of CIWS (Release 1.3)</p>	2011-07-12	JMF
C	<p>Approvers</p> <p>Platform Wall Material and License Options Definition: Table 1 SW license configuration table.</p> <p>License option table.</p> <p>Flow chart</p> <p>Page 4</p> <p>Characteristic table</p>	<p>Changed Project Manager from Joanne Fregoe to Pearl Staples. Updated approvers title to match work instruction.</p> <p>Added (In Addition the 84-B series standard models of the Platform Wall will also have the Office Profile License), to license option definition.</p> <p>Updated Table 1 to include Office profile column with X in 84-B standard 0 in all the rest. Added rows to include distinction between the 84-B s cord and the 84-2, 4, 6 and 7 cords. Added Standard/Office Profile to 84-B Lic trigger.</p> <p>License option titles, added (Vitals) to data communication, added weight, total hemoglobin and check to license titles.</p> <p>License options table added Office Profile license and character value 1.4.</p> <p>Removed colored release option table, removed Release 1.5 options with Printer ACM, removed highlight of releases. Moved -6 power cords under other power cords. Removed note "All Platform Wall models manufactured will be defined with a corresponding equipment masters. Update SAP table ZEQUIMATNR with models". From page 4 per Rich Thomas, we have programmed</p>	2012-07-06	EPS

Document Description: OEM Platform Wall License	Document Number: 70022252 Version: C
	Page 2 of 6
Printed or electronic versions of this document not accessed directly from the designated Welch Allyn Controlled Quality Information System are For Reference Only.	

	Classification table Last bullet page 6	provisioning to NOT require this table update. Added last row to characteristics table, F and Standard /Office Profile. In classification table heading removed CIWS added WALL_SYSTEM. Last bullet in document added "and descriptions".		
--	--	--	--	--

D* See SAP for Change Number, Approver(s) Name, and Date(s) of Approval for all non-hard copy approvals.

Required Approvers		
Title:	Name:	Signature/Date
Engineering	Pearl Staples	
Marketing	Rick Farchione	
Quality Assurance	Shawn Earle	D*
Customer Service	Jeannie Murphy	
Service Engineering	Dave Savarese	
Operations	Mary Kay Tesoro	
Regulatory	Mark Alsberge	
Variant Configuration Coordinator	Linda Gerrard	

Document Description: OEM Platform Wall License	Document Number: 70022252 Version: C
	Page 3 of 6
Printed or electronic versions of this document not accessed directly from the designated Welch Allyn Controlled Quality Information System are For Reference Only.	

Purpose and Scope:

This document defines Connex Integrated Wall System Software Licensing SW for variant configuration modeling. All subsequent changes to this document must be controlled under engineering change management.

Responsibilities:

The engineering representative, in coordination with marketing, customer service, and technical service is responsible for maintaining this document.


Platform Wall Material and License Options Definition:

(All models of the Platform Wall, 84 and 85 series will have All 3 Profile Licenses – Monitoring, Triage, and Spot, as well as Data Communication).

(In Addition the 84-B standard series models of the Platform Wall will also have the Office Profile License).

Table 1
Software License Configuration

Model	License Trigger	License Options								
		Data (Vitals) Communication Value: 0.0	Barcode Scanner Enabled Value: 0.1	WEIGHT SCALE_ENABLED Value: 0.2	WAPPS_FRAMEWORK Value: 0.3	Total Hemoglobin Masimo SpHb UI Value: 0.4	Monitor Profile Value: 1.2	Triage Profile Value: 1.1	Spot Check Profile Value: 1.0	Office Profile Value: 1.4
84-B Series	Standard/Office Profile	X	0	0	0	0	X	X	X	X
85 Series	Wireless	X	0	0	0	0	X	X	X	0
84-B Series	Standard H Model	X	0	0	0	X	X	X	X	0
85 Series	Wireless H Model	X	0	0	0	X	X	X	X	0
84-2, 4, 6, 7 Series	Standard	X	0	0	0	0	X	X	X	0
84-2, 4,	Standard	X	0	0	0	X	X	X	X	0

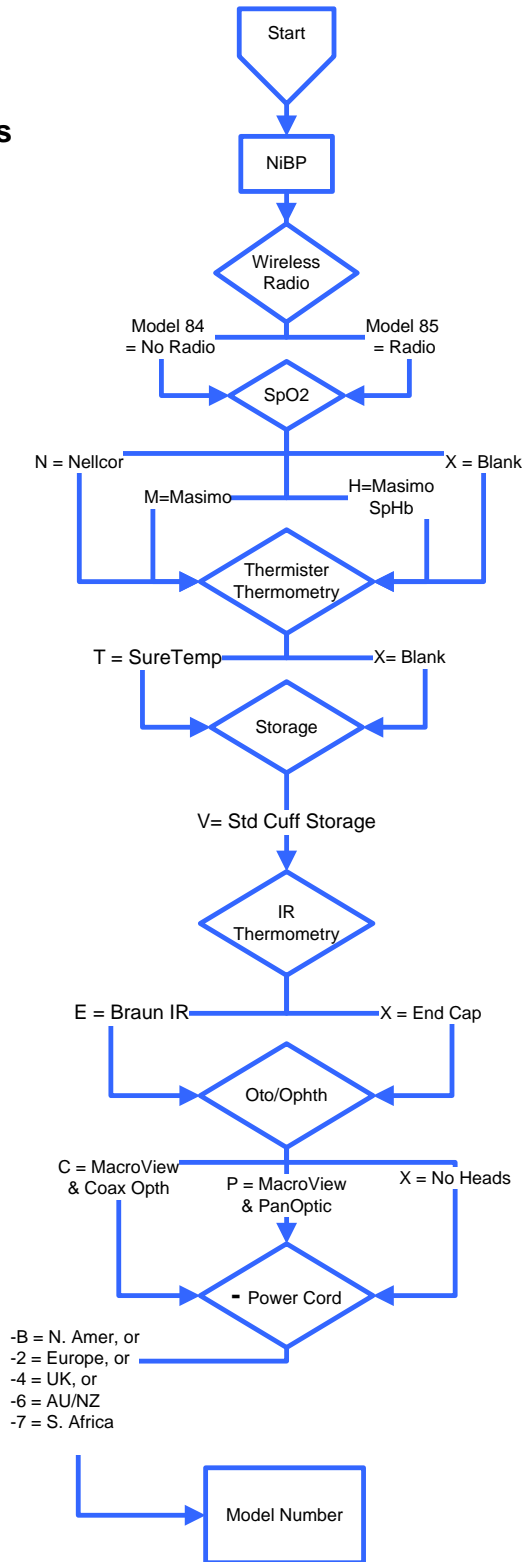
Document Description: OEM Platform Wall License	Document Number: 70022252 Version: C
	Page 4 of 6
Printed or electronic versions of this document not accessed directly from the designated Welch Allyn Controlled Quality Information System are For Reference Only.	

6, 7 Series	H Model									
------------------------	----------------	--	--	--	--	--	--	--	--	--

"X" designates feature enabled
 "0" designated feature disabled

Note: License object group = "PMP"
 Reference to *Portable Monitor Platform System Checks and Behaviors*, DIR #60032979

Platform Wall Configurations



SAP Classification for Software License:

Classification

Classification	WALL_SYSTEM
Characteristics	COMMUNICATION_PKG_CIWS
	LICENSE_OPTIONS
	LICENSE_OPTIONS_GRP

Characteristics

COMMUNICATION_PKG_CIWS	
Char Value	Description
S	Standard (4 USB/NC/EMR Ready)
W	Wireless (Std/Internal Radio)
2	Std w/Hemoglobin-4USB/EMR Rdy
3	Wireless w/Hemoglobin
F	Standard/Office Profile

LICENSE_OPTIONS_GRP	
Char Value	Description
PMP	PMP

LICENSE_OPTIONS	
Char Value	Description
0.0	DATA_COMM
0.1	BARCODE_SCANNER_ENABLED
0.2	SCALE_ENABLED
0.3	WAPPS_FRAMEWORK
0.4	MASIMO_SpHb_UI
1.0	SPOT_PROFILE
1.1	TRIAGE_PROFILE
1.2	MONITOR_PROFILE
1.4	OFFICE_PROFILE

- All characteristic values and descriptions are case specific.