

Welch Allyn, Inc.®

Medical Products
 4341 State Street Road
 Skaneateles Falls, New York 13153-0220 USA
 Tel: (315) 685- 4100 Fax: (315) 685-4653
 Copyright 2007 Welch Allyn, Inc. All rights reserved.

DATE: 8/27/08

SAP DIR #: 20010989

Subject: TSB - Release of Flexiport™ Cuffs

Bulletin Type: *New Product Release*

Product Family: *Core BP*

Originator: SS / JR Service Engineering Department

Author: Kenneth M. Gilbert in conjunction with the Flexiport™ team

Issue: Welch Allyn is pleased to announce the release of the new **Flexiport™** Cuff and associated connectors. The launch will be staggered with our Navan, Ireland facility being the first to offer these cuffs starting Dec. 17, 2007. All other markets world wide will start offering the product March 12, 2008. The result as the new cuff becomes available, in the different markets, is that very little inventory of the existing cuffs will be available. Once this inventory is depleted customers will no longer be able to order the old styles.



Distribution Key:

- Internal Welch Allyn distribution only
- External Welch Allyn distribution

Reference: Change Number: N/A

CAR: N/A

Solution Statement: This bulletin will assist in Flexiport terminology, New P/N recognition, Original to Flexiport cross reference, date code and warranty determination.

PRODUCT IDENTIFIERS: Refer to table below to identify affected product, if applicable and serial number range if the product is serialized and or date code range.

Product Number	Serial Numbers /Date Codes
See Component Cross Reference section	See Date and Lot Code section

Classification of Action:

- Mandatory
- Optional
- Does Not Apply

When:

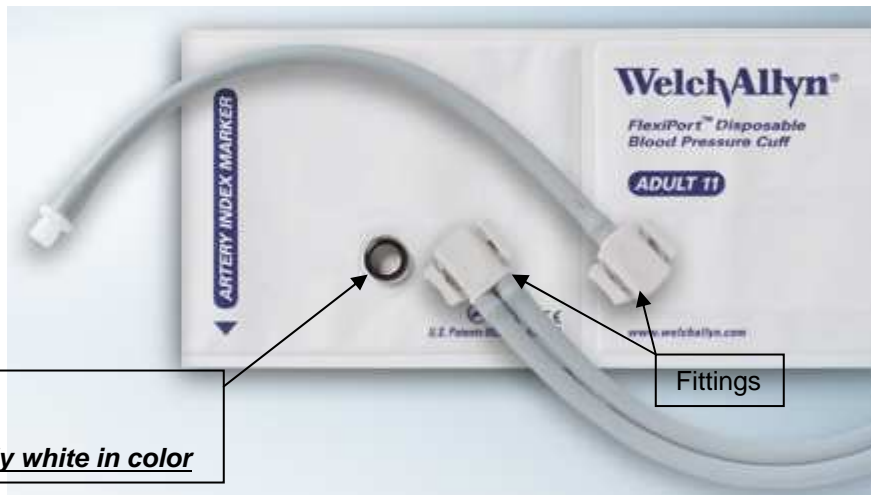
- Immediate
- On Next Service
- At Agreed Upon Time

• **Documentation required:**

706887 FLEXIPOINT BP CUFF DFU

• **What is Flexiport™?:**

- New Cuff Port Allowing
 - Tubes to be attached & removed from Cuff
 - One and Two Tube Capability
- Definitions
 - FlexiPort – The part that is built into cuff
 - FlexiPort Fittings – The part that is removable
 - Single Tube –One tube version
 - Double Tube – Two tube version



Port
Note: Color is actually white in color

Fittings

• **What products will ship with Flexiport™:**

Device	Flexiport™?
Spot	Yes (all versions)
Spot Lxi	Yes (all versions)
VSM 300	Yes (all versions)
Atlas	Yes (all versions)
Propaq LT	Yes (all versions)
Propaq CS	Yes (all versions)
PIC 50	Yes (all versions)
Wall Aneroids	Yes (except cuff & bladder versions)
DuraShock Aneroids	Yes (except cuff & bladder versions)

- **What's NOT changing:**

Neonate cuffs will not be changing due to size restriction for Flexiport™ and industry standardization of neonate cuffs already in place.

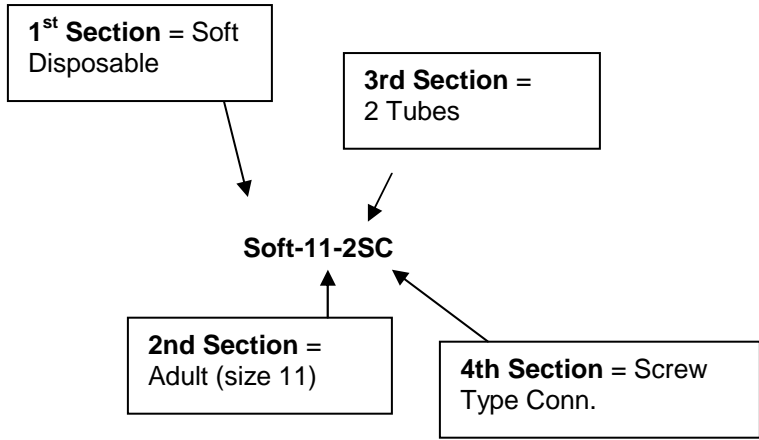
- **Part Numbers:**

The matrix below will help you to quickly identify what P/N cuff is need.

STYLE		DASH	SIZE		DASH	NUMBER OF TUBES		No Space	CONNECTOR/FITTINGS	
Description	1ST SECTION		Description	2ND SECTION		Description	3RD SECTION		Description	4TH SECTION
Soft Disposable	SOFT	-	Sm. Infant ¹	6	-	1 Tube	1		Screw	SC
Vinyl Disposable	VINYL	-	Infant	7	-	2 Tube	2		Bayonet ¹	HP
Durable	REUSE	-	Small Child	8	-	Blank Cuff			Tri-Purpose ²	TP
			Child	9	-				Locking	MQ
			Small Adult	10	-				Locking (Mated) ³	MF
			Adult	11	-				INFLATION SYSTEM	BV
			Adult Long	11L	-					
			Large Adult	12	-					
			Large Adult Long	12L	-					
			Thigh	13	-					

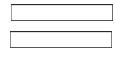

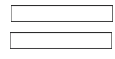

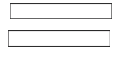

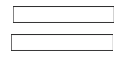





1 - Only Available in One-Tube Configurations
 2 - Not Available in Vinyl Disposable Cuffs
 3 - Male and Female Connectors (Two-Tube Only)

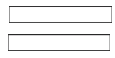

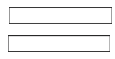




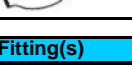
EXAMPLE:

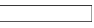


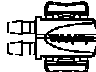



- **Tubing Accessories:**

	Part Number	Tubes	Fitting(s)	Unit of Measure	Description
One Tube	1-BARB			10	BP PORT FITTING,1-TUBE,BARBS
	1-SC			10	BP PORT FITTING,1-TUBE,SCREW
	1-MQ			10	BP PORT FITTING,1-TUBE,LOCKING
	1-HP			10	BP PORT FITTING,1-TUBE,BAYONET
	1-TPSE			10	BP PORT FITTING,1-TB,SM EURO
	1-TPLE			10	BP PORT FITTING,1-TB,LG EURO

	Part Number	Tubes	Fitting(s)	Unit of Measure	Description
Two Tube	2-BARB			10	BP PORT FITTING,2-TUBES,BARBS
	2-SC			10	BP PORT FITTING,2-TUBE,SCREW
	2-MQ			10	BP PORT FITTING,2-TUBE,LOCKING
	2-MF			10	BP PORT FITTING, 2 TB,M/F LOCK
	2-TPLE			10	BP PORT FITTING,2-TB,SM EURO
	2-TPSE			10	BP PORT FITTING,2-TB,SM EURO

	Part Number	Tubes	Fitting(s)	Unit of Measure	Description
Two Tube with Bulb	2-BVL			10	BP PORT FITTING,2-TUBE,LG BULB
	2-BVS			10	BP PORT FITTING,2-TUBE, SM BULB
	2-BVD			10	BP PORT FITTING,2TUBE,ECON BLB
	1DSAL			1	ADAPTER,DS45 W/ LG BULB
	1DSAS			1	ADAPTER, DS45 WITH SMALL BULB
	1DSLCL			1	ADAPTER, DS44 WITH ECONO BULB

	Part Number	Tubes	Fitting(s)	Unit of Measure	Description
Other Components	5082-188			10	FLEXIPOINT TUBING, 8", 10/PK
	5082-189			10	FLEXIPOINT TUBING, 13", 10/PK
	PORT-1			10	BP FLEXIPOINT FITTING, 1-TUBE
	PORT-2			10	BP FLEXIPOINT FITTING, 2-TUBE
	5082-159			1	CAP,FLEXIPOINT BP CUFF

o **Component Cross Reference:** Original Part Number to Flexiport™ Part numbers

Original Cuffs		FlexiPort™ Cuffs	
Catalog Number	UOM Qty	Catalog Number	UOM Qty
008-0625-00	1	Reuse-07-1TP	1
008-0626-00	1	Reuse-09-1MQ	1
008-0627-00	1	Reuse-10-1MQ	1
008-0628-00	1	Reuse-11-1MQ	1
008-0629-00	1	Reuse-12-1MQ	1
008-0630-00	1	Reuse-13-1MQ	1
1000-10-1	5	Reuse-10-1SC	1
1000-10-1HP	5	Reuse-10-1HP	1
1000-10-1MQ	5	Reuse-10-1MQ	1
1000-10-2	5	Reuse-10-2SC	1
1000-10-2DX	5	Reuse-10-2MF	1
1000-10-2MQ	5	Reuse-10-2MQ	1
1000-10-2NC	5	Reuse-10-2TPE	1
1000-11-1	5	Reuse-11-1SC	1
1000-11-1HP	5	Reuse-11-1HP	1
1000-11-1MQ	5	Reuse-11-1MQ	1
1000-11-2	5	Reuse-11-2SC	1
1000-11-2DX	5	Reuse-11-2MF	1
1000-11-2MQ	5	Reuse-11-2MQ	1
1000-11-2NC	5	Reuse-11-2TPE	1
1000-11L-1	5	Reuse-11L-1SC	1
1000-11L-1HP	5	Reuse-11L-1HP	1
1000-11L-1MQ	5	Reuse-11L-1MQ	1
1000-11L-2	5	Reuse-11L-2SC	1
1000-11L-2DX	5	Reuse-11L-2MF	1
1000-11L-2MQ	5	Reuse-11L-2MQ	1
1000-11L-2NC	5	Reuse-11L-2TPE	1
1000-12-1	5	Reuse-12-1SC	1
1000-12-1HP	5	Reuse-12-1HP	1
1000-12-1MQ	5	Reuse-12-1MQ	1
1000-12-2	5	Reuse-12-2SC	1
1000-12-2DX	5	Reuse-12-2MF	1
1000-12-2MQ	5	Reuse-12-2MQ	1
1000-12-2NC	5	Reuse-12-2TPE	1
1000-12L-1	5	Reuse-12L-1SC	1
1000-12L-1HP	5	Reuse-12L-1HP	1
1000-12L-1MQ	5	Reuse-12L-1MQ	1
1000-12L-2	5	Reuse-12L-2SC	1
1000-12L-2DX	5	Reuse-12L-2MF	1
1000-12L-2MQ	5	Reuse-12L-2MQ	1
1000-12L-2NC	5	Reuse-12L-2TPE	1
1000-13-1	5	Reuse-13-1SC	1
1000-13-1HP	5	Reuse-13-1HP	1
1000-13-1MQ	5	Reuse-13-1MQ	1
1000-13-2	5	Reuse-13-2SC	1
1000-13-2DX	5	Reuse-13-2MF	1

Original Cuffs		FlexiPort™ Cuffs	
Catalog Number	UOM Qty	Catalog Number	UOM Qty
1000-13-2MQ	5	Reuse-13-2MQ	1
1000-13-2NC	5	Reuse-13-2TPE	1
1000-6-1	5	Reuse-06-1SC	1
1000-6-1HP	5	Reuse-06-1HP	1
1000-6-1MQ	5	Reuse-06-1MQ	1
1000-7-1	5	Reuse-07-1SC	1
1000-7-1HP	5	Reuse-07-1HP	1
1000-7-1MQ	5	Reuse-07-1MQ	1
1000-7-2	5	Reuse-07-2SC	1
1000-7-2DX	5	Reuse-07-2MF	1
1000-7-2MQ	5	Reuse-07-2MQ	1
1000-7-2NC	5	Reuse-07-2TPE	1
1000-8-1	5	Reuse-08-1SC	1
1000-8-1HP	5	Reuse-08-1HP	1
1000-8-1MQ	5	Reuse-08-1MQ	1
1000-8-2	5	Reuse-08-2SC	1
1000-8-2DX	5	Reuse-08-2MF	1
1000-8-2MQ	5	Reuse-08-2MQ	1
1000-8-2NC	5	Reuse-08-2TPE	1
1000-9-1	5	Reuse-09-1SC	1
1000-9-1HP	5	Reuse-09-1HP	1
1000-9-1MQ	5	Reuse-09-1MQ	1
1000-9-2	5	Reuse-09-2SC	1
1000-9-2DX	5	Reuse-09-2MF	1
1000-9-2MQ	5	Reuse-09-2MQ	1
1000-9-2NC	5	Reuse-09-2TPE	1
30502-009S	20	30503-009S	20
30502-010	20	30503-010	20
30502-010S	20	30503-010S	20
30502-011	20	30503-011	20
30502-011S	20	30503-011S	20
30502-012	20	30503-012	20
30502-012S	20	30503-012S	20
30502-013	20	30503-013	20
30502-013L	20	30503-013L	20
30502013LS	20	30503013LS	20
30502-013S	20	30503-013S	20
30502-014	20	30503-014	20
30502-014L	20	30503-014L	20
30502014LS	20	30503014LS	20
30502-014S	20	30503-014S	20
30502-015	20	30503-015	20
30502-015S	20	30503-015S	20
30502-019	20	30503-019	20
30502-019S	20	30503-019S	20
30502-120	20	30503-120	20

Original Cuffs		FlexiPort™ Cuffs	
Catalog Number	UOM Qty	Catalog Number	UOM Qty
30502-121	20	30503-121	20
30502-122	20	30503-122	20
30502-122L	20	30503-122L	20
30502-124	20	30503-124	20
30502-124L	20	30503-124L	20
30502-125	20	30503-125	20
30502-130	20	30503-130	20
30502-221	20	30503-221	20
30502-222	20	30503-222	20
30502-222L	20	30503-222L	20
30502-224	20	30503-224	20
30502-309S	20	30503-309S	20
30502-310S	20	30503-310S	20
30502-311S	20	30503-311S	20
30502-312S	20	30503-312S	20
30502313LS	20	30503313LS	20
30502-313S	20	30503-313S	20
30502314LS	20	30503314LS	20
30502-314S	20	30503-314S	20
30502-315S	20	30503-315S	20
30502-319S	20	30503-319S	20
30502-510S	20	30503-510S	20
30502-511S	20	30503-511S	20
30502-512S	20	30503-512S	20
30502513LS	20	30503513LS	20
30502-513S	20	30503-513S	20
30502-514S	20	30503-514S	20
30502-612	20	30503-612	20
30502-613	20	30503-613	20
30502-613L	20	30503-613L	20
30502-614	20	30503-614	20
30502-710	20	30503-710	20
30502-711	20	30503-711	20
30502-712	20	30503-712	20
30502-713	20	30503-713	20
30502-714	20	30503-714	20
30505-010	20	30506-010	20
30505-011	20	30506-011	20
30505-011S	20	30506-011S	20
30505-012	20	30506-012	20
30505-012S	20	30506-012S	20
30505-013	20	30506-013	20
30505-013L	20	30506-013L	20
30505-013S	20	30506-013S	20
30505-014	20	30506-014	20
30505-014S	20	30506-014S	20
30505-015	20	30506-015	20
30505-121	20	30506-121	20

Original Cuffs		FlexiPort™ Cuffs	
Catalog Number	UOM Qty	Catalog Number	UOM Qty
30505-122	20	30506-122	20
30505-122L	20	30506-122L	20
30505-124	20	30506-124	20
30505-130	20	30506-130	20
30505-310S	20	30506-310S	20
30505-311S	20	30506-311S	20
30505-312S	20	30506-312S	20
30505313LS	20	30506313LS	20
30505-313S	20	30506-313S	20
30505314LS	20	30506314LS	20
30505-314S	20	30506-314S	20
30505-315S	20	30506-315S	20
30505-319S	20	30506-319S	20
30505-510S	20	30506-510S	20
30505-511S	20	30506-511S	20
30505-512S	20	30506-512S	20
30505-513S	20	30506-513S	20
30505-514S	20	30506-514S	20
30505-612	20	30506-612	20
30505-613	20	30506-613	20
30505-613L	20	30506-613L	20
30505-614	20	30506-614	20
30505-614L	20	30506-614L	20
30505-714L	20	30506-714L	20
5082-201-1	1	Reuse-06-1TP	1
5082-201-1E	1	Reuse-06-1TPE	1
5082-201-3	1	Reuse-06-1SC	1
5082-202-1	1	Reuse-07-1TP	1
5082-202-1E	1	Reuse-07-1TPE	1
5082-202-2	1	Reuse-07-2TP	1
5082-202-3	1	Reuse-07-1SC	1
5082-202-4	1	Reuse-07-2SC	1
5082-202-5	1	Reuse-07-2TPE	1
5082-203-1	1	Reuse-08-1TP	1
5082-203-1E	1	Reuse-08-1TPE	1
5082-203-2	1	Reuse-08-2TP	1
5082-203-3	1	Reuse-08-1SC	1
5082-203-4	1	Reuse-08-2SC	1
5082-203-5	1	Reuse-08-2TPE	1
5082-204-1	1	Reuse-09-1TP	1
5082-204-1E	1	Reuse-09-1TPE	1
5082-204-2	1	Reuse-09-2TP	1
5082-204-3	1	Reuse-09-1SC	1
5082-204-4	1	Reuse-09-2SC	1
5082-204-5	1	Reuse-09-2TPE	1
5082-204P-1	1	Reuse-09-1TP	1
5082-204P-2	1	Reuse-09-2TP	1
5082-204P-3	1	Reuse-09-1SC	1

Original Cuffs		FlexiPort™ Cuffs	
Catalog Number	UOM Qty	Catalog Number	UOM Qty
5082-204P-4	1	Reuse-09-2SC	1
5082-204P-5	1	Reuse-09-2TPE	1
5082-205-1	1	Reuse-10-1TP	1
5082-205-1E	1	Reuse-10-1TPE	1
5082-205-2	1	Reuse-10-2TP	1
5082-205-3	1	Reuse-10-1SC	1
5082-205-4	1	Reuse-10-2SC	1
5082-205-5	1	Reuse-10-2TPE	1
5082-206-1	1	Reuse-11-1TP	1
5082-206-1E	1	Reuse-11-1TPE	1
5082-206-2	1	Reuse-11-2TP	1
5082-206-3	1	Reuse-11-1SC	1
5082-206-4	1	Reuse-11-2SC	1
5082-206-5	1	Reuse-11-2TPE	1
5082-206L-1	1	Reuse-11L-1TP	1
5082-206L-2	1	Reuse-11L-2TP	1
5082-206L-3	1	Reuse-11L-1SC	1
5082-206L-4	1	Reuse-11L-2SC	1
5082-207-1	1	Reuse-12-1TP	1
5082-207-1E	1	Reuse-12-1TPE	1
5082-207-2	1	Reuse-12-2TP	1
5082-207-3	1	Reuse-12-1SC	1
5082-207-4	1	Reuse-12-2SC	1
5082-207-5	1	Reuse-12-2TPE	1
5082-207L-1	1	Reuse-12L-1TP	1
5082-207L-2	1	Reuse-12L-2TP	1
5082-207L-3	1	Reuse-12L-1SC	1
5082-207L-4	1	Reuse-12L-2SC	1
5082-208-1	1	Reuse-13-1TP	1
5082-208-1E	1	Reuse-13-1TPE	1
5082-208-2	1	Reuse-13-2TP	1
5082-208-3	1	Reuse-13-1SC	1
5082-208-4	1	Reuse-13-2SC	1
5082-208-5	1	Reuse-13-2TPE	1
5082-222-1	1	Reuse-07-2BV	1
5082-222-1CL	1	Reuse-07-2BVC	1
5082-223-1	1	Reuse-08-2BV	1
5082-223-1CL	1	Reuse-08-2BVC	1
5082-224-1	1	Reuse-09-2BV	1
5082-224-1CL	1	Reuse-09-2BVC	1
5082-224P-1	1	Reuse-09-2BV	1
5082-224P-1CL	1	Reuse-09-2BVC	1
5082-225-1	1	Reuse-10-2BV	1
5082-225-1CL	1	Reuse-10-2BVC	1
5082-226-1	1	Reuse-11-2BV	1
5082-226-1CL	1	Reuse-11-2BVC	1
5082-226L-1	1	Reuse-11L-2BV	1
5082-226L-1CL	1	Reuse-11L-2BVC	1

Original Cuffs		FlexiPort™ Cuffs	
Catalog Number	UOM Qty	Catalog Number	UOM Qty
5082-227-1	1	Reuse-12-2BV	1
5082-227-1CL	1	Reuse-12-2BVC	1
5082-227L-1	1	Reuse-12L-2BV	1
5082-227L-1CL	1	Reuse-12L-2BVC	1
5082-228-1	1	Reuse-13-2BV	1
5082-228-1CL	1	Reuse-13-2BVC	1
5082-232-1	1	Soft-07-2BV	20
5082-232-1CL	1	Soft-07-2BVC	20
5082-232-6	1	Vinyl-07-2BV	20
5082-232-6CL	1	Vinyl-07-2BVC	20
5082-233-1	1	Soft-08-2BV	20
5082-233-1CL	1	Soft-08-2BVC	20
5082-233-6	1	Vinyl-08-2BV	20
5082-233-6CL	1	Vinyl-08-2BVC	20
5082-234-1	1	Soft-09-2BV	20
5082-234-1CL	1	Soft-09-2BVC	20
5082-234-6	1	Vinyl-09-2BV	20
5082-234-6CL	1	Vinyl-09-2BVC	20
5082-235-1	1	Soft-10-2BV	20
5082-235-1CL	1	Soft-10-2BVC	20
5082-235-6	1	Vinyl-10-2BV	20
5082-235-6CL	1	Vinyl-10-2BVC	20
5082-236-1	1	Soft-11-2BV	20
5082-236-1CL	1	Soft-11-2BVC	20
5082-236-6	1	Vinyl-11-2BV	20
5082-236-6CL	1	Vinyl-11-2BVC	20
5082-236L-1	1	Soft-11L-2BV	20
5082-236L-1CL	1	Soft-11L-2BVC	20
5082-236L-6	1	Vinyl-11L-2BV	20
5082-236L-6CL	1	Vinyl-11L-2BVC	20
5082-237-1	1	Soft-12-2BV	20
5082-237-1CL	1	Soft-12-2BVC	20
5082-237-6	1	Vinyl-12-2BV	20
5082-237-6CL	1	Vinyl-12-2BVC	20
5082-237L-1	1	Soft-12L-2BV	20
5082-237L-1CL	1	Soft-12L-2BVC	20
5082-237L-6	1	Vinyl-12L-2BV	20
5082-237L-6CL	1	Vinyl-12L-2BVC	20
5082-238-1	1	Soft-13-2BV	20
5082-238-1CL	1	Soft-13-2BVC	20
5082-238-6	1	Vinyl-13-2BV	20
5082-238-6CL	1	Vinyl-13-2BVC	20
5082-241-1	Multi Cuff	Reuse-MLT	Multi Cuff
5082-241-11	Multi Cuff	VinylCard	Multi Cuff
5082-241-12	Multi Cuff	VinylCard	Multi Cuff
5082-241-13	Multi Cuff	SoftCard	Multi Cuff

Original Cuffs		FlexiPort™ Cuffs	
Catalog Number	UOM Qty	Catalog Number	UOM Qty
5082-241-14	Multi Cuff	SoftCard	Multi Cuff
5082-241-17	Multi Cuff	Vinyl-MLT	Multi Cuff
5082-241-18	Multi Cuff	Vinyl-MLT	Multi Cuff
5082-241-19	Multi Cuff	Vinyl-MLT	Multi Cuff
5082-241-2	Multi Cuff	Reuse-MLT	Multi Cuff
5082-241-20	Multi Cuff	Vinyl-MLT	Multi Cuff
5082-241-3	Multi Cuff	Reuse-MLT	Multi Cuff
5082-241-3HP	Multi Cuff	Reuse-MLT	Multi Cuff
5082-241-3MQ	Multi Cuff	Reuse-MLT	Multi Cuff
5082-241-4	Multi Cuff	Reuse-MLT	Multi Cuff
5082-241-4MQ	Multi Cuff	Reuse-MLT	Multi Cuff
5082-241-5	Multi Cuff	Soft-MLT	Multi Cuff
5082-241-6	Multi Cuff	Soft-MLT	Multi Cuff
5082-241-7	Multi Cuff	Soft-MLT	Multi Cuff
5082-241-7HP	Multi Cuff	Soft-MLT	Multi Cuff
5082-241-7MQ	Multi Cuff	Soft-MLT	Multi Cuff
5082-241-8	Multi Cuff	Soft-MLT	Multi Cuff
5082-241-8MQ	Multi Cuff	Soft-MLT	Multi Cuff
5082-81-1	5	Reuse-06-1TP	1
5082-81-3	5	Reuse-06-1SC	1
5082-81-3HP	5	Reuse-06-1HP	1
5082-81-3MQ	5	Reuse-06-1MQ	1
5082-82-1	5	Reuse-07-1TP	1
5082-82-2	5	Reuse-07-2TP	1
5082-82-3	5	Reuse-07-1SC	1
5082-82-3HP	5	Reuse-07-1HP	1
5082-82-3MQ	5	Reuse-07-1MQ	1
5082-82-4	5	Reuse-07-2SC	1
5082-82-4MQ	5	Reuse-07-2MQ	1
5082-82-5	5	Reuse-07-2TPE	1
5082-83-1	5	Reuse-08-1TP	1
5082-83-2	5	Reuse-08-2TP	1
5082-83-3	5	Reuse-08-1SC	1
5082-83-3HP	5	Reuse-08-1HP	1
5082-83-3MQ	5	Reuse-08-1MQ	1
5082-83-4	5	Reuse-08-2SC	1
5082-83-4MQ	5	Reuse-08-2MQ	1
5082-83-5	5	Reuse-08-2TPE	1
5082-84-1	5	Reuse-09-1TP	1
5082-84-2	5	Reuse-09-2TP	1

Original Cuffs		FlexiPort™ Cuffs	
Catalog Number	UOM Qty	Catalog Number	UOM Qty
5082-84-3	5	Reuse-09-1SC	1
5082-84-3HP	5	Reuse-09-1HP	1
5082-84-3MQ	5	Reuse-09-1MQ	1
5082-84-4	5	Reuse-09-2SC	1
5082-84-4MQ	5	Reuse-09-2MQ	1
5082-84-5	5	Reuse-09-2TPE	1
5082-84P-1	5	Reuse-09-1TP	1
5082-84P-2	5	Reuse-09-2TP	1
5082-84P-3	5	Reuse-09-1SC	1
5082-84P-3HP	5	Reuse-09-1HP	1
5082-84P-3MQ	5	Reuse-09-1MQ	1
5082-84P-4	5	Reuse-09-2SC	1
5082-84P-4MQ	5	Reuse-09-2MQ	1
5082-84P-5	5	Reuse-09-2TPE	1
5082-85-1	5	Reuse-10-1TP	1
5082-85-2	5	Reuse-10-2TP	1
5082-85-3	5	Reuse-10-1SC	1
5082-85-3HP	5	Reuse-10-1HP	1
5082-85-3MQ	5	Reuse-10-1MQ	1
5082-85-4	5	Reuse-10-2SC	1
5082-85-4MQ	5	Reuse-10-2MQ	1
5082-85-5	5	Reuse-10-2TPE	1
5082-86-1	5	Reuse-11-1TP	1
5082-86-2	5	Reuse-11-2TP	1
5082-86-3	5	Reuse-11-1SC	1
5082-86-3HP	5	Reuse-11-1HP	1
5082-86-3MQ	5	Reuse-11-1MQ	1
5082-86-4	5	Reuse-11-2SC	1
5082-86-4MQ	5	Reuse-11-2MQ	1
5082-86-5	5	Reuse-11-2TPE	1
5082-86L-1	5	Reuse-11L-1TP	1
5082-86L-2	5	Reuse-11L-2TP	1
5082-86L-3	5	Reuse-11L-1SC	1
5082-86L-3HP	5	Reuse-11L-1HP	1
5082-86L-3MQ	5	Reuse-11L-1MQ	1
5082-86L-4	5	Reuse-11L-2SC	1
5082-86L-4MQ	5	Reuse-11L-2MQ	1
5082-87-1	5	Reuse-12-1TP	1
5082-87-2	5	Reuse-12-2TP	1
5082-87-3	5	Reuse-12-1SC	1
5082-87-3HP	5	Reuse-12-1HP	1
5082-87-3MQ	5	Reuse-12-1MQ	1
5082-87-4	5	Reuse-12-2SC	1
5082-87-4MQ	5	Reuse-12-2MQ	1
5082-87-5	5	Reuse-12-2TPE	1
5082-87L-1	5	Reuse-12L-1TP	1
5082-87L-2	5	Reuse-12L-2TP	1
5082-87L-3	5	Reuse-12L-1SC	1

Original Cuffs		FlexiPort™ Cuffs	
Catalog Number	UOM Qty	Catalog Number	UOM Qty
5082-87L-3HP	5	Reuse-12L-1HP	1
5082-87L-3MQ	5	Reuse-12L-1MQ	1
5082-87L-4	5	Reuse-12L-2SC	1
5082-87L-4MQ	5	Reuse-12L-2MQ	1
5082-88-1	5	Reuse-13-1TP	1
5082-88-2	5	Reuse-13-2TP	1
5082-88-3	5	Reuse-13-1SC	1
5082-88-3HP	5	Reuse-13-1HP	1
5082-88-3MQ	5	Reuse-13-1MQ	1
5082-88-4	5	Reuse-13-2SC	1
5082-88-4MQ	5	Reuse-13-2MQ	1
5082-88-5	5	Reuse-13-2TPE	1
5082-91-1	5	Soft-06-1TP	20
5082-91-3	5	Soft-06-1SC	20
5082-91-3HP	5	Soft-06-1HP	20
5082-91-3MQ	5	Soft-06-1MQ	20
5082-91-6	5	Soft-06-1TP	20
5082-91-8	5	Vinyl-06-1SC	20
5082-91-8HP	5	Vinyl-06-1HP	20
5082-91-8MQ	5	Vinyl-06-1MQ	20
5082-92-1	5	Soft-07-1TP	20
5082-92-2	5	Soft-07-2TP	20
5082-92-3	5	Soft-07-1SC	20
5082-92-3HP	5	Soft-07-1HP	20
5082-92-3MQ	5	Soft-07-1MQ	20
5082-92-4	5	Soft-07-2SC	20
5082-92-4MQ	5	Soft-07-2MQ	20
5082-92-5	5	Soft-07-2TPE	20
5082-92-6	5	Soft-07-1TP	20
5082-92-7	5	Soft-07-2TP	20
5082-92-8	5	Vinyl-07-1SC	20
5082-92-8HP	5	Vinyl-07-1HP	20
5082-92-8MQ	5	Vinyl-07-1MQ	20
5082-92-9	5	Vinyl-07-2SC	20
5082-92-9MQ	5	Vinyl-07-2MQ	20
5082-93-1	5	Soft-08-1TP	20
5082-93-2	5	Soft-08-2TP	20
5082-93-3	5	Soft-08-1SC	20
5082-93-3HP	5	Soft-08-1HP	20
5082-93-3MQ	5	Soft-08-1MQ	20
5082-93-4	5	Soft-08-2SC	20
5082-93-4MQ	5	Soft-08-2MQ	20
5082-93-5	5	Soft-08-2TPE	20
5082-93-6	5	Soft-08-1TP	20
5082-93-7	5	Soft-08-2TP	20
5082-93-8	5	Vinyl-08-1SC	20
5082-93-8HP	5	Vinyl-08-1HP	20
5082-93-8MQ	5	Vinyl-08-1MQ	20

Original Cuffs		FlexiPort™ Cuffs	
Catalog Number	UOM Qty	Catalog Number	UOM Qty
5082-93-9	5	Vinyl-08-2SC	20
5082-93-9MQ	5	Vinyl-08-2MQ	20
5082-94-1	5	Soft-09-1TP	20
5082-94-2	5	Soft-09-2TP	20
5082-94-3	5	Soft-09-1SC	20
5082-94-3HP	5	Soft-09-1HP	20
5082-94-3MQ	5	Soft-09-1MQ	20
5082-94-4	5	Soft-09-2SC	20
5082-94-4CL	5	Soft-09-2SCC	20
5082-94-4MQ	5	Soft-09-2MQ	20
5082-94-5	5	Soft-09-2TPE	20
5082-94-6	5	Soft-09-1TP	20
5082-94-7	5	Soft-09-2TP	20
5082-94-8	5	Vinyl-09-1SC	20
5082-94-8HP	5	Vinyl-09-1HP	20
5082-94-8MQ	5	Vinyl-09-1MQ	20
5082-94-9	5	Vinyl-09-2SC	20
5082-94-9MQ	5	Vinyl-09-2MQ	20
5082-95-1	5	Soft-10-1TP	20
5082-95-2	5	Soft-10-2TP	20
5082-95-3	5	Soft-10-1SC	20
5082-95-3HP	5	Soft-10-1HP	20
5082-95-3MQ	5	Soft-10-1MQ	20
5082-95-4	5	Soft-10-2SC	20
5082-95-4CL	5	Soft-10-2SCC	20
5082-95-4MQ	5	Soft-10-2MQ	20
5082-95-5	5	Soft-10-2TPE	20
5082-95-6	5	Soft-10-1TP	20
5082-95-7	5	Soft-10-2TP	20
5082-95-8	5	Vinyl-10-1SC	20
5082-95-8HP	5	Vinyl-10-1HP	20
5082-95-8MQ	5	Vinyl-10-1MQ	20
5082-95-9	5	Vinyl-10-2SC	20
5082-95-9MQ	5	Vinyl-10-2MQ	20
5082-96-1	5	Soft-11-1TP	20
5082-96-2	5	Soft-11-2TP	20
5082-96-3	5	Soft-11-1SC	20
5082-96-3HP	5	Soft-11-1HP	20
5082-96-3MQ	5	Soft-11-1MQ	20
5082-96-4	5	Soft-11-2SC	20
5082-96-4CL	5	Soft-11-2SCC	20
5082-96-4MQ	5	Soft-11-2MQ	20
5082-96-5	5	Soft-11-2TPE	20
5082-96-6	5	Soft-11-1TP	20
5082-96-7	5	Soft-11-2TP	20
5082-96-8	5	Vinyl-11-1SC	20
5082-96-8HP	5	Vinyl-11-1HP	20
5082-96-8MQ	5	Vinyl-11-1MQ	20

Original Cuffs		FlexiPort™ Cuffs	
Catalog Number	UOM Qty	Catalog Number	UOM Qty
5082-96-9	5	Vinyl-11-2SC	20
5082-96-9MQ	5	Vinyl-11-2MQ	20
5082-96L-1	5	Soft-11L-1TP	20
5082-96L-2	5	Soft-11L-2TP	20
5082-96L-3	5	Soft-11L-1SC	20
5082-96L-3HP	5	Soft-11L-1HP	20
5082-96L-3MQ	5	Soft-11L-1MQ	20
5082-96L-4	5	Soft-11L-2SC	20
5082-96L-4MQ	5	Soft-11L-2MQ	20
5082-96L-6	5	Soft-11L-1TP	20
5082-96L-7	5	Soft-11L-2TP	20
5082-96L-8	5	Vinyl-11L-1SC	20
5082-96L-8HP	5	Vinyl-11L-1HP	20
5082-96L-8MQ	5	Vinyl-11L-1MQ	20
5082-96L-9	5	Vinyl-11L-2SC	20
5082-96L-9MQ	5	Vinyl-11L-2MQ	20
5082-97-1	5	Soft-12-1TP	20
5082-97-2	5	Soft-12-2TP	20
5082-97-3	5	Soft-12-1SC	20
5082-97-3HP	5	Soft-12-1HP	20
5082-97-3MQ	5	Soft-12-1MQ	20
5082-97-4	5	Soft-12-2SC	20
5082-97-4CL	5	Soft-12-2SCC	20
5082-97-4MQ	5	Soft-12-2MQ	20
5082-97-5	5	Soft-12-2TPE	20
5082-97-6	5	Soft-12-1TP	20
5082-97-7	5	Soft-12-2TP	20
5082-97-8	5	Vinyl-12-1SC	20
5082-97-8HP	5	Vinyl-12-1HP	20
5082-97-8MQ	5	Vinyl-12-1MQ	20
5082-97-9	5	Vinyl-12-2SC	20
5082-97-9MQ	5	Vinyl-12-2MQ	20
5082-97L-1	5	Soft-12L-1TP	20
5082-97L-2	5	Soft-12L-2TP	20
5082-97L-3	5	Soft-12L-1SC	20
5082-97L-3HP	5	Soft-12L-1HP	20
5082-97L-3MQ	5	Soft-12L-1MQ	20
5082-97L-4	5	Soft-12L-2SC	20
5082-97L-4MQ	5	Soft-12L-2MQ	20
5082-97L-6	5	Soft-12L-1TP	20
5082-97L-7	5	Soft-12L-2TP	20
5082-97L-8	5	Vinyl-12L-1SC	20
5082-97L-8HP	5	Vinyl-12L-1HP	20
5082-97L-8MQ	5	Vinyl-12L-1MQ	20
5082-97L-9	5	Vinyl-12L-2SC	20
5082-97L-9MQ	5	Vinyl-12L-2MQ	20
5082-98-1	5	Soft-13-1TP	20
5082-98-2	5	Soft-13-2TP	20

Original Cuffs		FlexiPort™ Cuffs	
Catalog Number	UOM Qty	Catalog Number	UOM Qty
5082-98-3	5	Soft-13-1SC	20
5082-98-3HP	5	Soft-13-1HP	20
5082-98-3MQ	5	Soft-13-1MQ	20
5082-98-4	5	Soft-13-2SC	20
5082-98-4CL	5	Soft-13-2SCC	20
5082-98-4MQ	5	Soft-13-2MQ	20
5082-98-5	5	Soft-13-2TPE	20
5082-98-6	5	Soft-13-1TP	20
5082-98-7	5	Soft-13-2TP	20
5082-98-8	5	Vinyl-13-1SC	20
5082-98-8HP	5	Vinyl-13-1HP	20
5082-98-8MQ	5	Vinyl-13-1MQ	20
5082-98-9	5	Vinyl-13-2SC	20
5082-98-9MQ	5	Vinyl-13-2MQ	20
5084-81-1	5	Reuse-06-1TP	1
5084-81-3	5	Reuse-06-1SC	1
5084-81-3MQ	5	Reuse-06-1MQ	1
5084-82-1	5	Reuse-07-1TP	1
5084-82-2	5	Reuse-07-2TP	1
5084-82-3	5	Reuse-07-1SC	1
5084-82-3MQ	5	Reuse-07-1MQ	1
5084-82-4	5	Reuse-07-2SC	1
5084-82-4MQ	5	Reuse-07-2MQ	1
5084-83-1	5	Reuse-08-1TP	1
5084-83-2	5	Reuse-08-2TP	1
5084-83-3	5	Reuse-08-1SC	1
5084-83-3MQ	5	Reuse-08-1MQ	1
5084-83-4	5	Reuse-08-2SC	1
5084-83-4MQ	5	Reuse-08-2MQ	1
5084-84-1	5	Reuse-09-1TP	1
5084-84-2	5	Reuse-09-2TP	1
5084-84-3	5	Reuse-09-1SC	1
5084-84-3MQ	5	Reuse-09-1MQ	1
5084-84-4	5	Reuse-09-2SC	1
5084-84-4MQ	5	Reuse-09-2MQ	1
5084-85-1	5	Reuse-10-1TP	1
5084-85-2	5	Reuse-10-2TP	1
5084-85-3	5	Reuse-10-1SC	1
5084-85-3MQ	5	Reuse-10-1MQ	1
5084-85-4	5	Reuse-10-2SC	1
5084-85-4MQ	5	Reuse-10-2MQ	1
5084-86-1	5	Reuse-11-1TP	1
5084-86-2	5	Reuse-11-2TP	1
5084-86-3	5	Reuse-11-1SC	1
5084-86-3MQ	5	Reuse-11-1MQ	1
5084-86-4	5	Reuse-11-1MQ	1
5084-86-4MQ	5	Reuse-11-2MQ	1
5084-86L-1	5	Reuse-11L-1TP	1

Original Cuffs		FlexiPort™ Cuffs	
Catalog Number	UOM Qty	Catalog Number	UOM Qty
5084-86L-2	5	Reuse-11L-2TP	1
5084-86L-3	5	Reuse-11L-1SC	1
5084-86L-3MQ	5	Reuse-11L-1MQ	1
5084-86L-4	5	Reuse-11L-2SC	1
5084-86L-4MQ	5	Reuse-11L-2MQ	1
5084-87-1	5	Reuse-12-1TP	1
5084-87-2	5	Reuse-12-2TP	1
5084-87-3	5	Reuse-12-1SC	1
5084-87-3MQ	5	Reuse-12-1MQ	1
5084-87-4	5	Reuse-12-2SC	1
5084-87-4MQ	5	Reuse-12-2MQ	1
5084-87L-1	5	Reuse-12L-1TP	1
5084-87L-2	5	Reuse-12L-2TP	1
5084-87L-3	5	Reuse-12L-1SC	1
5084-87L-3MQ	5	Reuse-12L-1MQ	1
5084-87L-4	5	Reuse-12L-2SC	1
5084-87L-4MQ	5	Reuse-12L-2MQ	1
5084-88-1	5	Reuse-13-1TP	1
5084-88-2	5	Reuse-13-2TP	1
5084-88-3	5	Reuse-13-1SC	1
5084-88-3MQ	5	Reuse-13-1MQ	1
5084-88-4	5	Reuse-13-2SC	1
5084-88-4MQ	5	Reuse-13-2MQ	1
5084-91-1	5	Soft-06-1TP	20
5084-91-3	5	Soft-06-1SC	20
5084-91-3MQ	5	Soft-06-1MQ	20
5084-92-1	5	Soft-07-1TP	20
5084-92-2	5	Soft-07-2TP	20
5084-92-3	5	Soft-07-1SC	20
5084-92-3MQ	5	Soft-07-1MQ	20
5084-92-4	5	Soft-07-2SC	20
5084-92-4MQ	5	Soft-07-2MQ	20
5084-93-1	5	Soft-08-1TP	20
5084-93-2	5	Soft-08-2TP	20
5084-93-3	5	Soft-08-1SC	20
5084-93-3MQ	5	Soft-08-1MQ	20
5084-93-4	5	Soft-08-2SC	20
5084-93-4MQ	5	Soft-08-2MQ	20
5084-94-1	5	Soft-09-1TP	20
5084-94-2	5	Soft-09-2TP	20
5084-94-3	5	Soft-09-1SC	20

Original Cuffs		FlexiPort™ Cuffs	
Catalog Number	UOM Qty	Catalog Number	UOM Qty
5084-94-3MQ	5	Soft-09-1MQ	20
5084-94-4	5	Soft-09-2SC	20
5084-94-4MQ	5	Soft-09-2MQ	20
5084-95-1	5	Soft-10-1TP	20
5084-95-2	5	Soft-10-2TP	20
5084-95-3	5	Soft-10-1SC	20
5084-95-3MQ	5	Soft-10-1MQ	20
5084-95-4	5	Soft-10-2SC	20
5084-95-4MQ	5	Soft-10-2MQ	20
5084-96-1	5	Soft-11-1TP	20
5084-96-2	5	Soft-11-2TP	20
5084-96-3	5	Soft-11-1SC	20
5084-96-3MQ	5	Soft-11-1MQ	20
5084-96-4	5	Soft-11-2SC	20
5084-96-4MQ	5	Soft-11-2MQ	20
5084-96L-1	5	Soft-11L-1TP	20
5084-96L-2	5	Soft-11L-2TP	20
5084-96L-3	5	Soft-11L-1SC	20
5084-96L-3MQ	5	Soft-11L-1MQ	20
5084-96L-4	5	Soft-11L-2SC	20
5084-96L-4MQ	5	Soft-11L-2MQ	20
5084-97-1	5	Soft-12-1TP	20
5084-97-2	5	Soft-12-2TP	20
5084-97-3	5	Soft-12-1SC	20
5084-97-3MQ	5	Soft-12-1MQ	20
5084-97-4	5	Soft-12-2SC	20
5084-97-4MQ	5	Soft-12-2MQ	20
5084-97L-1	5	Soft-12L-1TP	20
5084-97L-2	5	Soft-12L-2TP	20
5084-97L-3	5	Soft-12L-1SC	20
5084-97L-3MQ	5	Soft-12L-1MQ	20
5084-97L-4	5	Soft-12L-2SC	20
5084-97L-4MQ	5	Soft-12L-2MQ	20
5084-98-1	5	Soft-13-1TP	20
5084-98-2	5	Soft-13-2TP	20
5084-98-3	5	Soft-13-1SC	20
5084-98-3MQ	5	Soft-13-1MQ	20
5084-98-4	5	Soft-13-2SC	20
5084-98-4MQ	5	Soft-13-2MQ	20

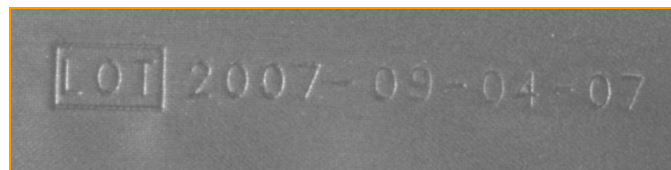
○ **New Component Numbers added as part of this Release:**

FlexiPort Cuffs	
Catalog Number	UOM Qty
30503-11	20
30503-12	20
30503-13	20
30503-13L	20
30503-14	20
30503-14L	20
30503-15	20
30503-19	20
30506-10	20
30506-11	20
30506-12	20
30506-13	20
30506-13L	20
30506-14	20
30506-14L	20
30506-15	20
30506-19	20
Reuse-06	1
Reuse-07	1
Reuse-08	1
Reuse-09	1
Reuse-10	1
Reuse-11	1
Reuse-11L	1
Reuse-11L-2TPE	1
Reuse-12	1

FlexiPort Cuffs	
Catalog Number	UOM Qty
Reuse-12L	1
Reuse-12L-2TPE	1
Reuse-13	1
Soft-06	20
Soft-07	20
Soft-08	20
Soft-09	20
Soft-10	20
Soft-11	20
Soft-11L	20
Soft-12	20
Soft-12L	20
Soft-13	20
Vinyl-06	20
Vinyl-07	20
Vinyl-08	20
Vinyl-09	20
Vinyl-10	20
Vinyl-11	20
Vinyl-11L	20
Vinyl-12	20
Vinyl-12L	20
Vinyl-13	20
Reuse-11L-1TPE	1
Reuse-12L-1TPE	1
Soft-11L-2TPE	20
Soft-12L-2TPE	20

● **Date or Lot Code and Location:**

A new lot code has been adopted to allow for easier determination of warranty. The date code will now read "2007-05-08-17. 2007 is the year. 05 is the month. 08 is the day. 17 is the cuff line that the cuff was manufactured on" and is located on the inner side of the cuff above the Velcro strip by shown in the below image as a example



Warranty:

- Reusable cuffs will carry a 3 yr warranty.
- Soft and Vinyl (disposable) will carry no warranty.
- **TechView CD:** N/A

COMPLAINTS: Welch Allyn, Inc. Medical Customer Complaint process must be followed for any complaint activity resulting from this or other issues.

Note:

Drawings and/or illustrations and/or part numbers in this document are for reference purposes only and current to the date of this bulletin. Contact the Welch Allyn Service Engineering Department at Skaneateles Falls NY, USA if you have any questions about this bulletin, or to verify that you have the most current service information.

Revision History

VERSION	DESCRIPTION	CHANGE #	INIT	DATE	APPR
A	Release to Production	5002734	CJT	D*	D*
B	Release to Production	5002884	KMG	D*	D*

D* SEE SAP DIR DIGITAL SIGNATURE LOG FOR APPROVAL DETAILS

End of Bulletin