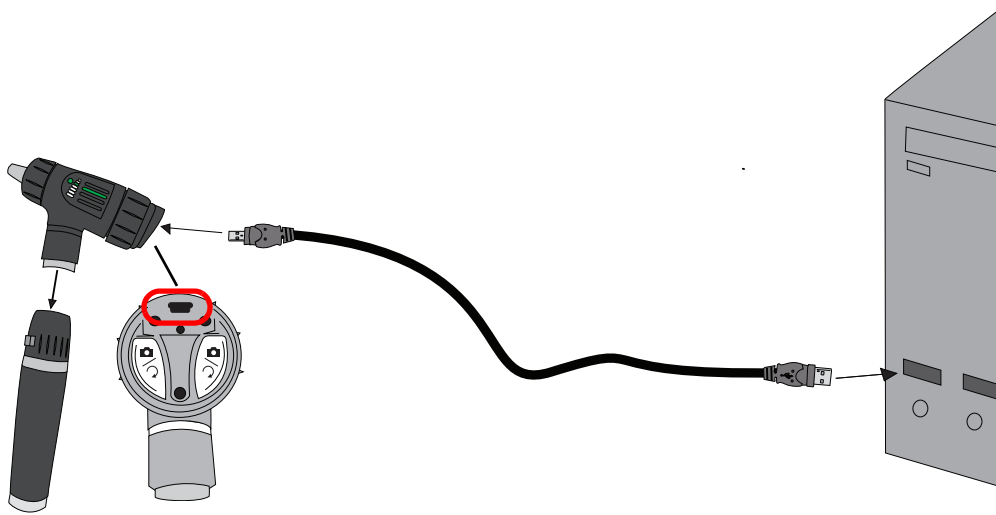


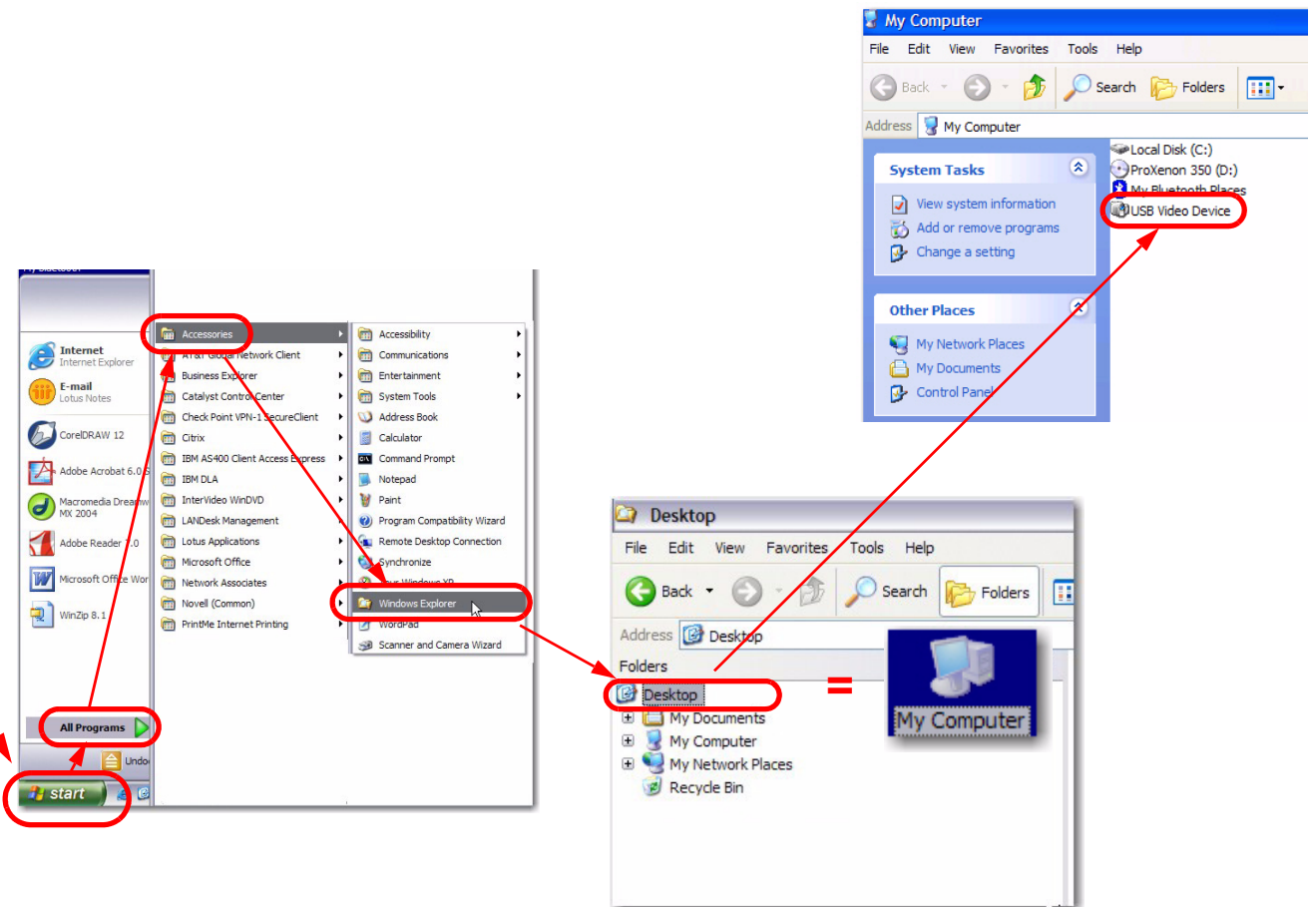
Advancing Frontline Care™

Reorder No. 23960-QSG
MM# 708825 Ver. B

A




B



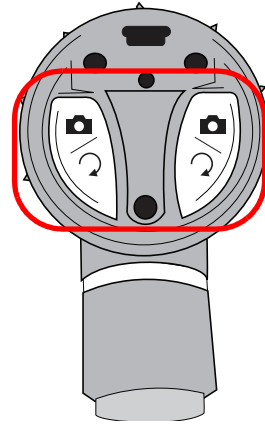
C

Turn the power source to FULL ON position.

Controls

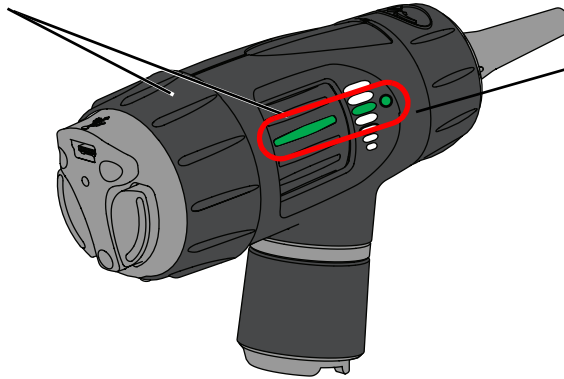
Capture:  Press and hold **either** function button for approximately 1 second. **IMPORTANT:** The system captures an image upon release. With a steady hand, quickly press and release the button to capture an image.

Rotate:  Press and hold both buttons for approximately 4 seconds. Image rotates 180° on screen.



Focus

Free Focus: rotate either wheel to fine-tune the image.



Default Position: align the green line to the green dot.

Reviewing Images

Viewing captured images

Double-click the thumbnail picture. A pop up window displays the larger image.

Click on the X in the upper right corner of the pop up to close the image.

Saving captured images

1. Right click the thumbnail.
2. Select **Save in My Pictures**. This is the default setting.
3. Select **Copy**, and then select the destination folder, right click, and select **Paste**.

The user can rename, view, or copy the images within the folder.

To return to the captured thumbnails, click the **Back** button.

Clearing captured images

This option clears the images from the viewing window to prepare for the next patient/session.

1. Locate Camera Tasks on the left option bar.
2. Select **X Delete all pictures on camera**.

Deleting captured images

This option clears the images from the from the active window.

1. Click on the thumbnail.
For multiple images hold down the control button and click on each thumbnail.
2. Right click on the thumbnail and select **Delete**.